















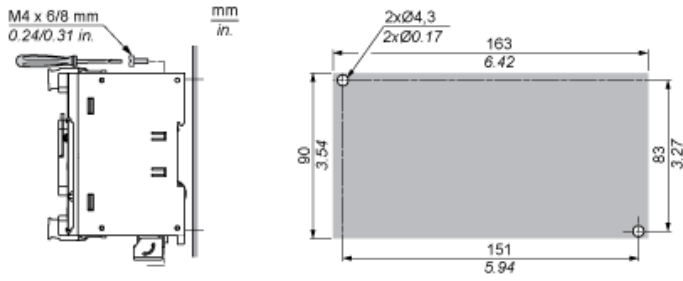
**Direct Mounting on a Panel Surface**

---



(1) Install a mounting strip

**Mounting Hole Layout**





**Mounting**

---

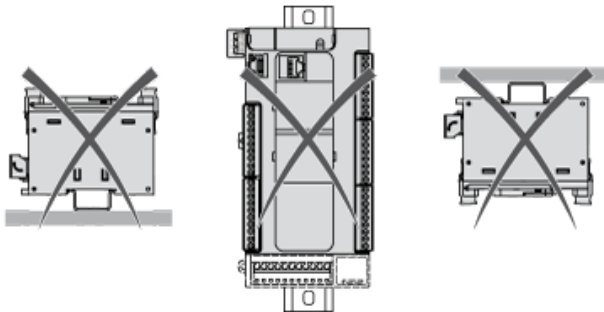
**Correct Mounting Position**



**Acceptable Mounting Position**



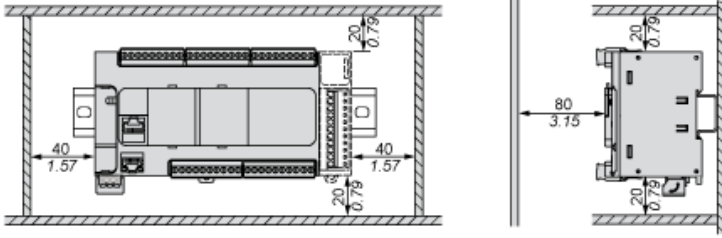
**Incorrect Mounting Position**



Clearance

---

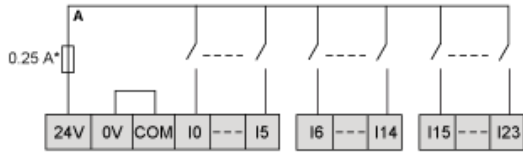
mm  
in.



**Digital Inputs**

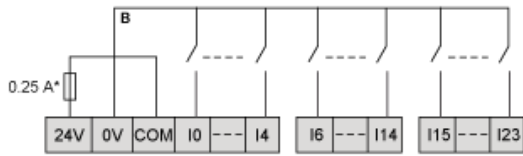
---

**Wiring Diagram (Positive Logic)**



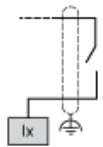
(\*) Type T fuse

**Wiring Diagram (Negative Logic)**



(\*) Type T fuse

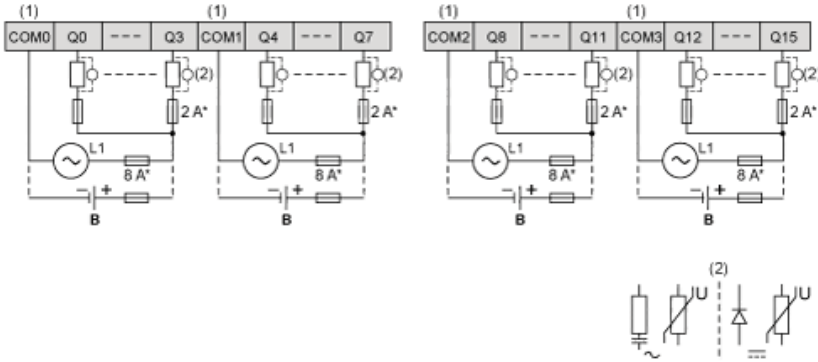
**Connection of the Fast Inputs**



10, 11, 16, 17

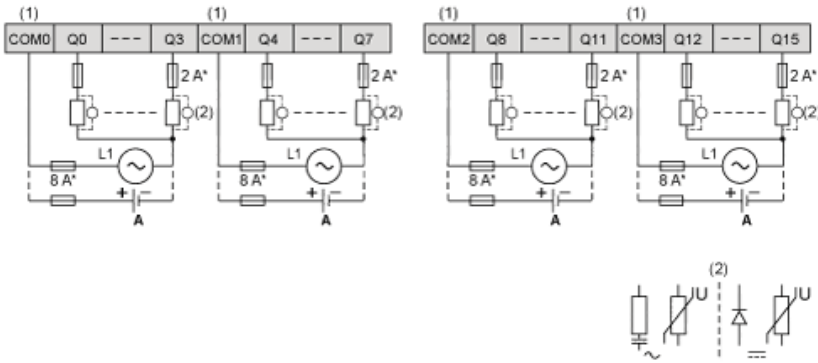
**Relay Outputs**

**Negative Logic (Sink)**



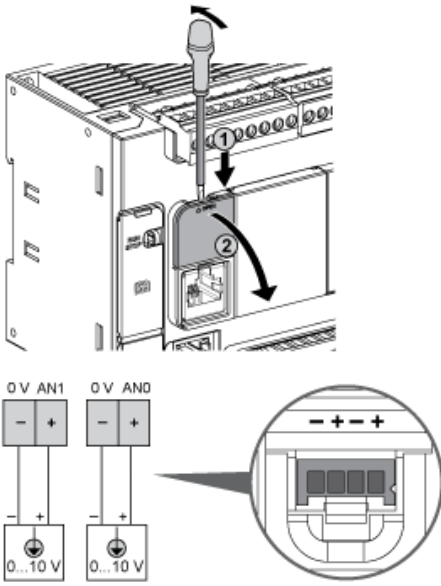
- (\*) Type T fuse
- (1) The COM0, COM1, COM2 and COM3 terminals are not connected internally.
- (2) To improve the life time of the contacts, and to protect from potential inductive load damage, you must connect a free wheeling diode in parallel to the load.
- B Sink wiring (negative logic)

**Positive Logic (Source)**



- (\*) Type T fuse
- (1) The COM0, COM1, COM2 and COM3 terminals are not connected internally.
- (2) To improve the life time of the contacts, and to protect from potential inductive load damage, you must connect a free wheeling diode in parallel to the load.
- A Source wiring (positive logic)

**Analog Inputs**

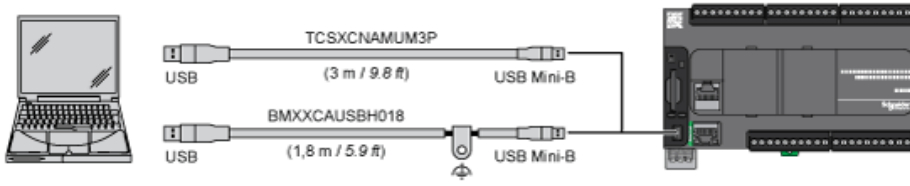


The (-) poles are connected internally.

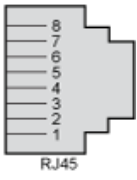
Pin	Wire Color
0 V	Black
AN1	Red
0 V	Black
AN0	Red

## USB Mini-B Connection

---



**SL1 Connection**

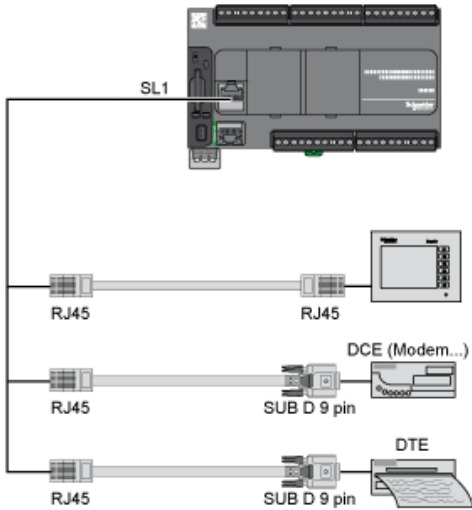


SL1

N °	RS 232	RS 485
1	RxD	N.C.
2	TxD	N.C.
3	RTS	N.C.
4	N.C.	D1
5	N.C.	D0
6	CTS	N.C.
7	N.C.*	5 Vdc
8	Common	Common

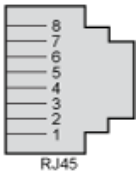
N.C.: not connected

\* : 5 Vdc delivered by the controller. Do not connect.



**SL2 Connection**

---



N °	RS 485
1	N.C.
2	N.C.
3	N.C.
4	D1
5	D0
6	N.C.
7	N.C.
8	Common

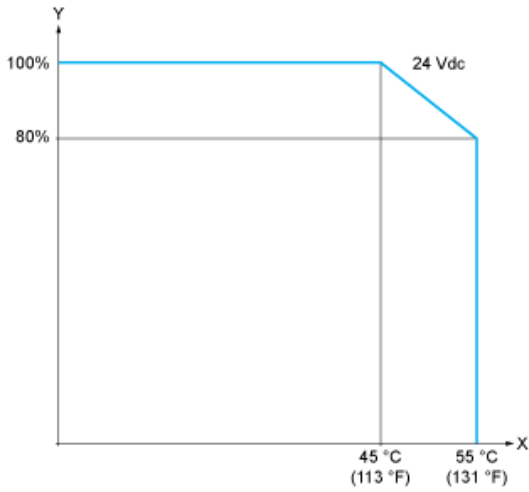
N.C.: not connected



**Derating Curves**

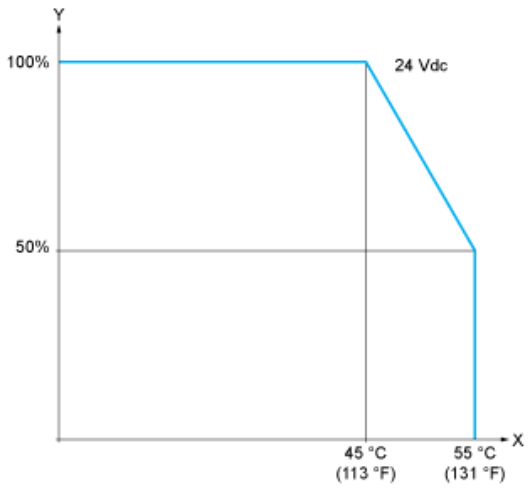
---

**Embedded Digital Inputs (No Cartridge)**



X : Ambient temperature  
Y : Input simultaneous ON ratio

**Embedded Digital Inputs (with Cartridge)**



X : Ambient temperature  
Y : Input simultaneous ON ratio

**Recommended replacement(s)**